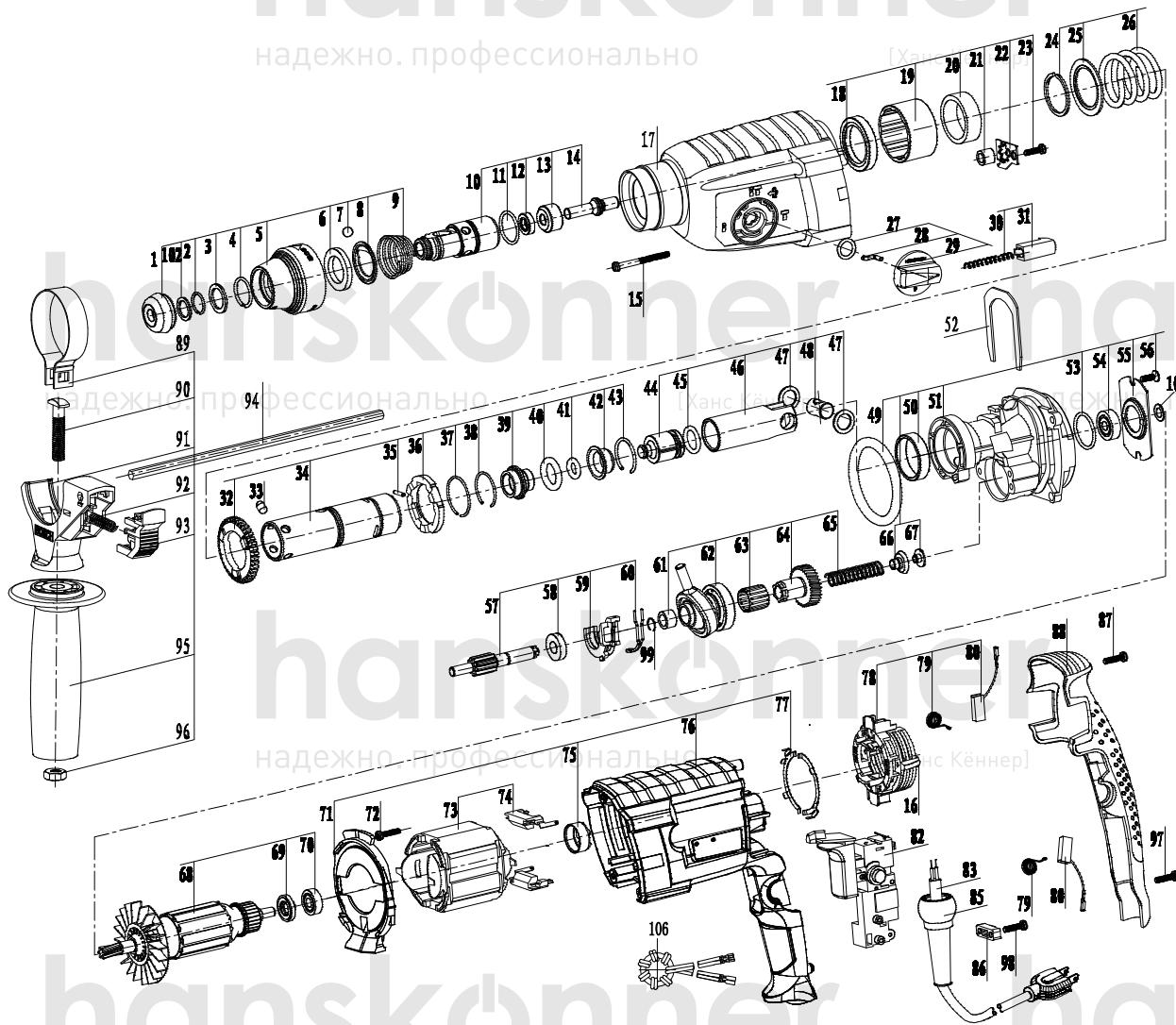


HRH0824RE

hanskonner

надежно. профессионально



надежно. профессионально

[Ханс Кеннер]

надежно. профессионально

NO.	DESCRIPTION	NO.	DESCRIPTION
1	DUST CAP	51	BRACKET
2	CIRCLIP $\Phi 14 \times 1.5$	52	BRACKET PRESS PLATE
3	WASHER $\Phi 16 \times \Phi 22 \times 1.6$	53	O-RING $\Phi 23.2 \times 2.4$
4	CIRCLIP $\Phi 19 \times 2$	54	609RS BEARING
5	LOCKING SLEEVE	55	BEARING PRESS PLATE
6	WASHER $\Phi 21 \times \Phi 32 \times 4$	56	SCREW M4X10
7	STELL BALL $\Phi 7.14$	57	MIDDLE GEAR
8	RING SPRING FLORIATE WASHER	58	699 BEARING
9	SPRING	59	SHIFT FORK
10	SMALL DRILL SLEEVE	60	SHIFT FORK SPRING
11	O-RING $\Phi 21.5 \times 2$	61	HK0910 NEEDLE BEARING
12	OIL SEAL $\Phi 9.2 \times \Phi 16 \times 5$	62	ROCKER BEARING
13	POSITION-LIMITED SLEEVE OF IMPACT ROD	63	K15 NEEDLE BEARING
14	IMPACT ROD	64	BEVEL GEAR
15	SCREW ST4.5X40	65	SPRING
16	SPRING	66	SPRING HOLDER
17	FRONT HOUSING	67	CONVEX WASHER
18	OIL SEAL $\Phi 30 \times \Phi 41 \times 7$	68	ROTOR
19	BUSHING	69	INSULATION WASHER
20	HK3012 NEEDLE BEARING	70	607RS BEARING
21	HK0709 NEEDLE BEARING	71	WIND GUIDE
22	NINE DENS WASHER	72	SCREW ST3.5X14
23	SCREW ST4.2X16	73	STATOR
24	CIRCLIP $\Phi 28 \times \Phi 32.6 \times 1.5$	74	TERMINAL BOARD
25	WASHER $\Phi 30 \times \Phi 43 \times 1.5$	75	BEARING COVER
26	SPRING	76	HOUSING
27	O-RING $\Phi 11 \times 2.5$	77	SWITCH CONTACT
28	MODEL SELECTOR IRON CORE	78	CARBON BRUSH HOLDER
29	MODEL SELECTOR KNOB	79	COIL SPRING
30	MODEL SELECTOR SPRING	80	CARBON BRUSH
31	LOCKING BUTTON	82	SWITCH
32	BIG GEAR	83	CORD
33	POSITION PIN	85	CORD SLEEVE
34	ROTARY SLEEVE	86	CORD CLAMP
35	PIN $\Phi 2.5 \times 12$	87	SCREW ST4.2X22
36	CLUTCH DISK	88	BACK COVER
37	CIRCLIP $\Phi 28 \times 1.5$	89	HANDLE STEEL RING
38	CIRCLIP $\Phi 27.5 \times 1.5$	90	T-BOLT
39	IMPACT ROD SLEEVE	91	HANDLE SEAT
40	O-RING $\Phi 18 \times 3.5$	92	DEPTH GUAGE LOCK SPRING
41	O-RING $\Phi 9.6 \times 3.5$	93	DEPTH GUAGE LOCK
42	DAMPING BUSHING	94	DEPTH GUAGE
43	CIRCLIP $\Phi 28 \times 2$	95	AUXILIARY HANDLE
44	PISTON	96	M8 NUT
45	O-RING $\Phi 15.1 \times 3$	97	SCREW ST4.2X16
46	CYLINDER	98	SCREW ST4X16
47	CYLINDER WASHER	99	CIRCLIP $\Phi 8$
48	CYLINDER PIN	100	BEARING WASHER $\Phi 9 \times \Phi 14 \times 0.5$
49	BRACKET O-RING $\Phi 53 \times 7$	102	WASHER $\Phi 11 \times \Phi 17 \times 1$
50	BRACKET BUSHING	106	INDUCTOR